

NQP

NORDIC QUALITY PARTS

NQP ORION WHITE

POSITION / WARNING LIGHT

PART NO. 23102

The **NQP ORION WHITE** is a premium 9-inch auxiliary driving light designed for trucks, commercial vehicles, and off-road applications. Featuring selectable E-Mode and Boost Mode, it delivers powerful illumination with up to 15,000 raw lumens for improved visibility in demanding conditions.

The integrated white/amber position light and amber warning strobe enhance vehicle visibility, while the durable aluminium housing and robust construction ensure reliable performance in all weather conditions.



UP TO 15 000
LUMENS



100-160 W
10-30 V



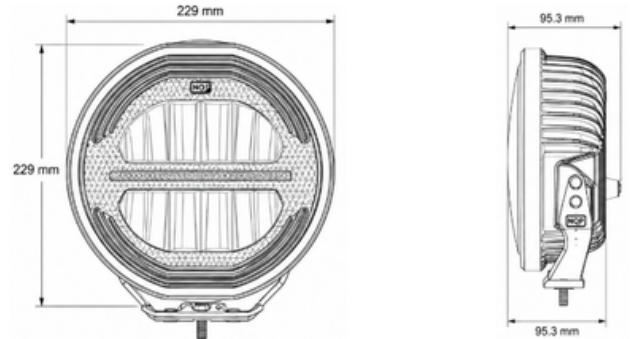
IP67 / IP69K
RATED

SPECIFICATIONS

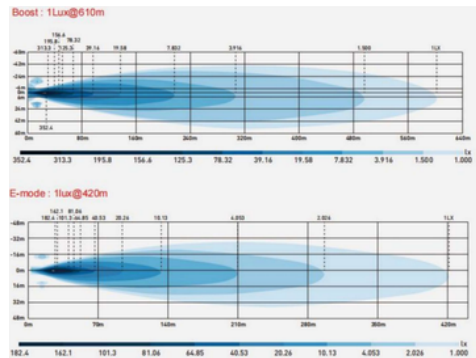
Consumption	100 W (E-Mode) / 160 W (Boost-Mode)
Voltage	10-30 V DC
Effective lumen	5 800 lm (E-Mode) / 11 000 lm (Boost Mode)
Raw lumen	7 500 lm (E-Mode) / 15 000 lm (Boost Mode)
Beam distance	1 lux @ 480 m (E-Mode) / 620 m (Boost-Mode)
Color temperature	5000-5500 K
Position light	White / Amber
Warning light	Amber strobe, 4 patterns
Startup function	Dynamic startup position light
Connector	DT6 Connector
Housing material	Aluminium
Bracket material	Stainless steel
Lens material	Polycarbonate, Anti-UV & Anti-scratch
IP-class	IP67 / IP69K
Approvals	ECE R10, ECE R148, ECE R149, ECE R65
Operating temperature	-40°C to +60°C
Cable length	35 cm
Dimensions	229 x 229 (254.3 with bracket) x 95.3 mm



BLUEPRINT



BEAM PATTERN



POWERFUL LIGHT, ROBUST QUALITY

